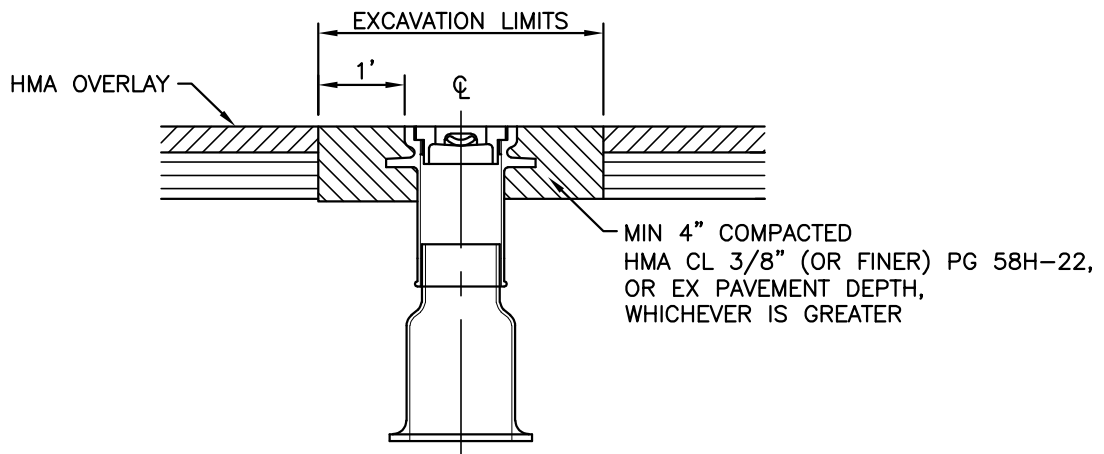


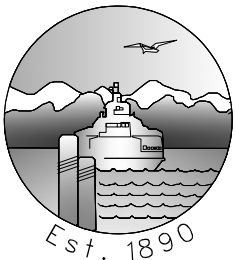
**MANHOLE OR CATCH BASIN
ADJUSTMENT**



**VALVE BOX, LAMPHOLE OR CLEANOUT
ADJUSTMENT**

NOTE:

ON "MILL AND FILL," OR "GRIND AND OVERLAY" PROJECTS WHERE THE FINAL PAVEMENT ELEVATION IS EXPECTED NOT TO CHANGE (NO ADJUSTMENTS ANTICIPATED) CONTRACTOR SHALL NOTIFY ENGINEER OF ANY ROADWAY CONDITIONS, SUCH AS RUTTING OR CROWN CHANGES, THAT WHEN ADDRESSED, MAY REQUIRE A SUBSEQUENT GRADE ADJUSTMENT FOR UTILITY CASTINGS. OTHERWISE ALL UTILITY CASTINGS SHALL BE EXPOSED DURING THE PAVING PROCESS, UNLESS DIRECTED BY THE ENGINEER.



CITY OF EDMONDS
PUBLIC WORKS
DEPARTMENT

**UTILITY CASTING
ADJUSTMENT**

APPROVED BY: R. ENGLISH

REVISION DATE
SEPTEMBER 2023

STANDARD
DETAIL
GU-424